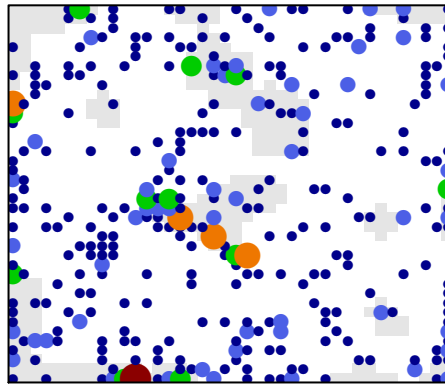
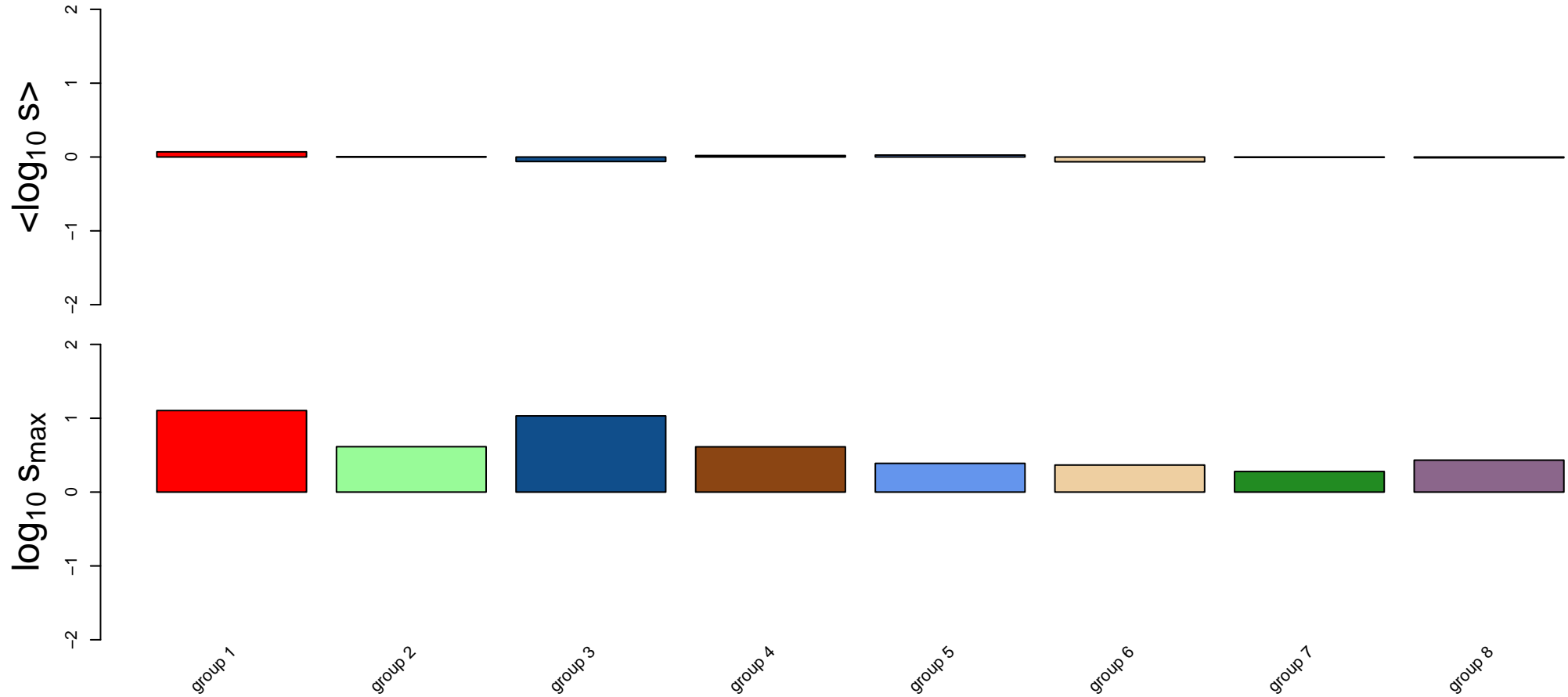
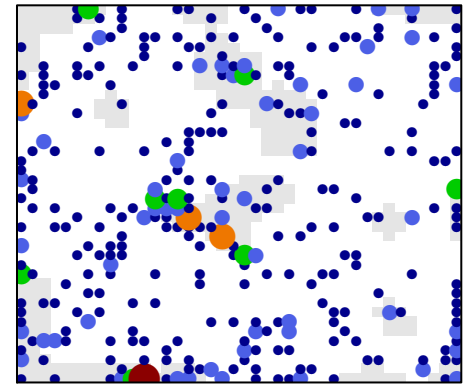


MicroRNAs in cancer

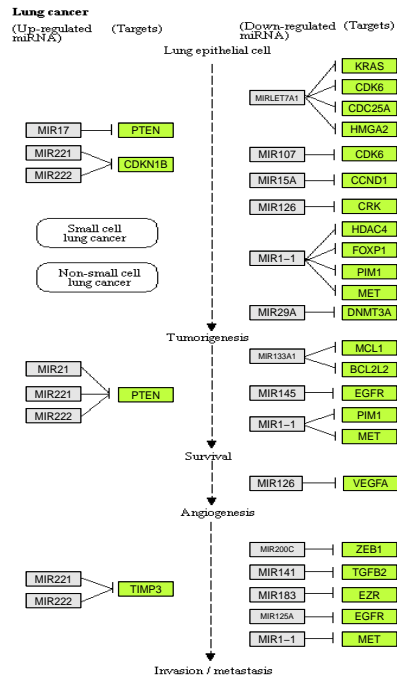
all genes



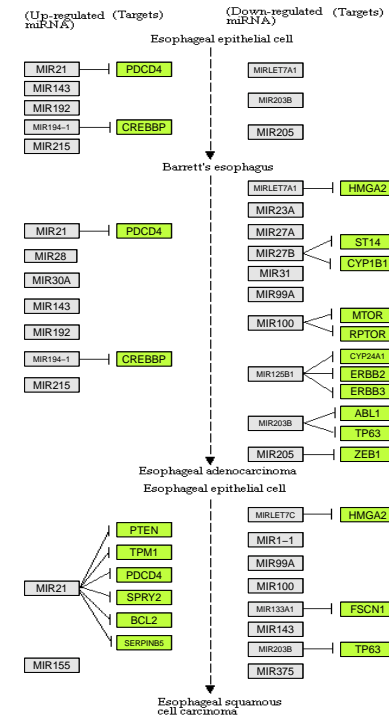
sink node genes



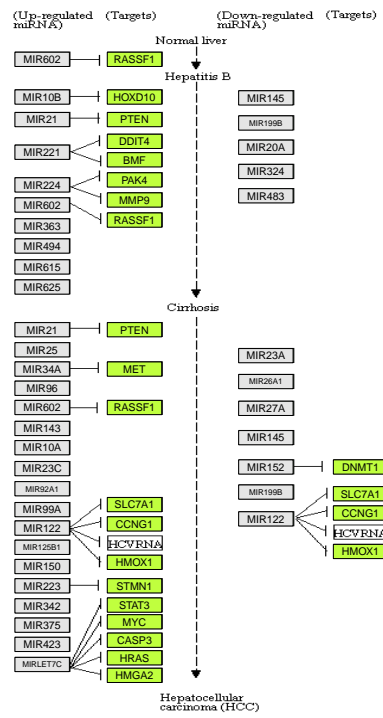
MicroRNAs in cancer genes with data



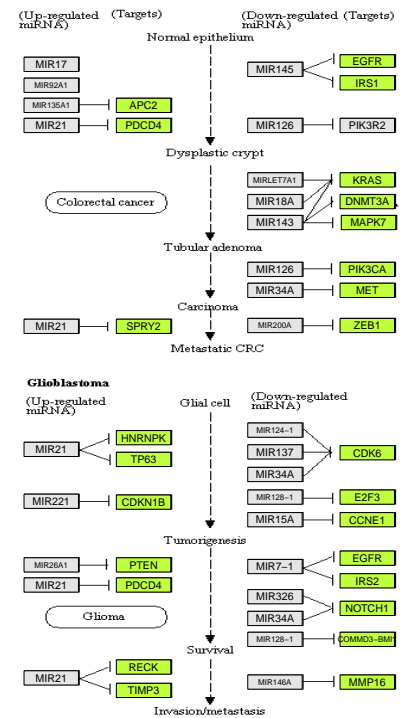
Esophageal cancer



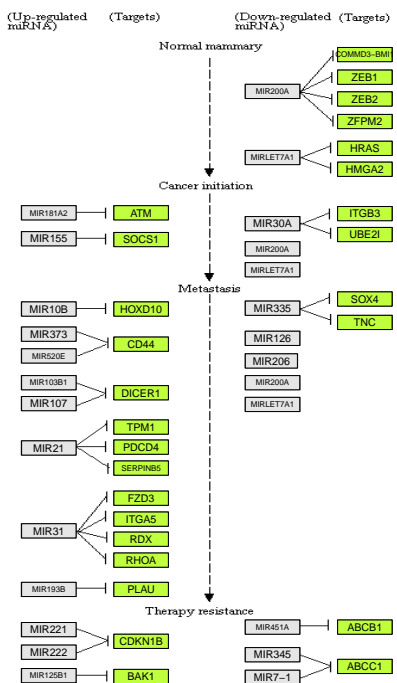
Hepatocellular carcinoma (HCC)



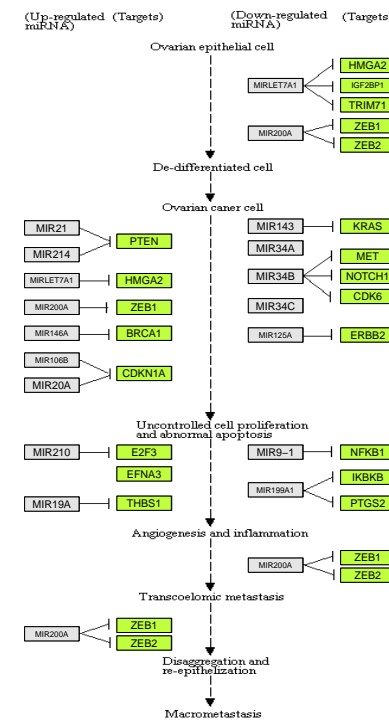
Colorectal cancer



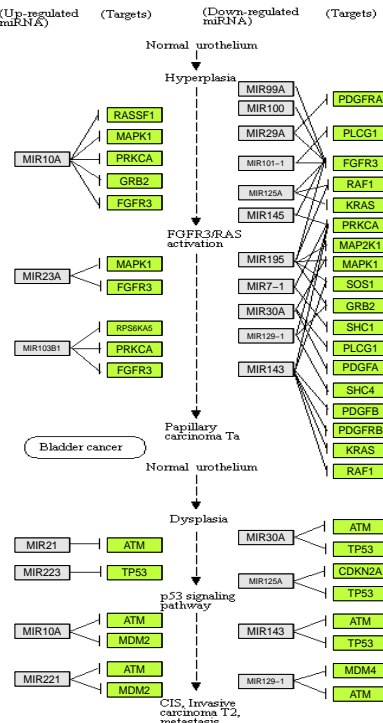
Breast cancer



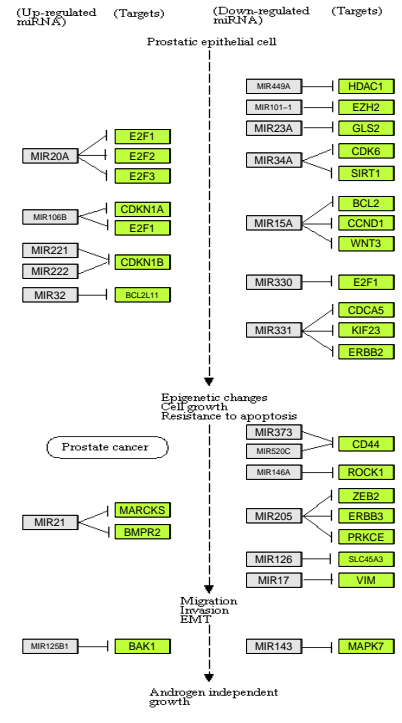
Epithelial ovarian cancer



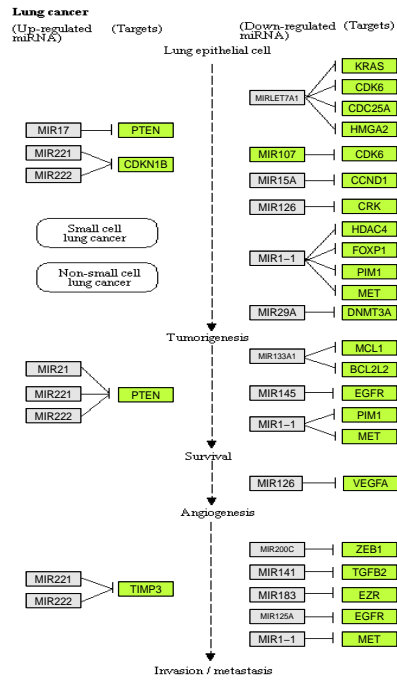
Bladder cancer



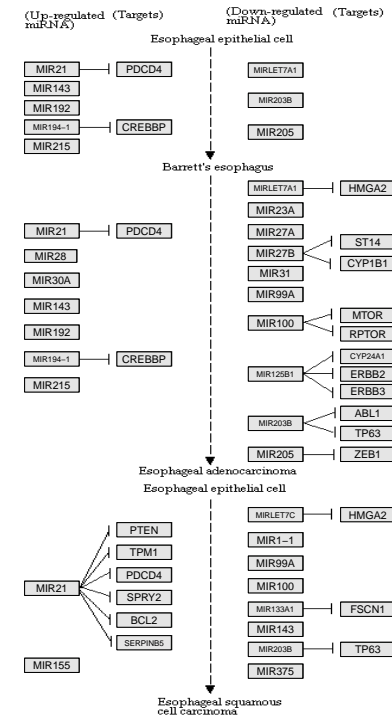
Prostate cancer



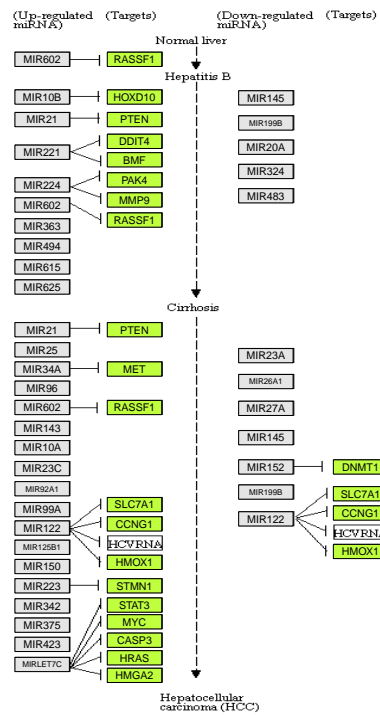
MicroRNAs in cancer sink nodes



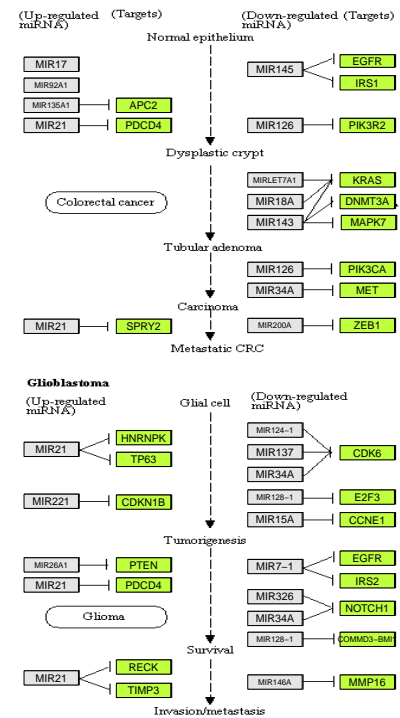
Esophageal cancer



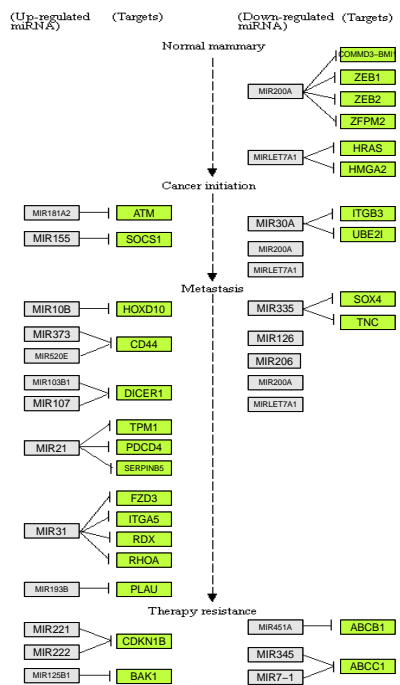
Hepatocellular carcinoma (HCC)



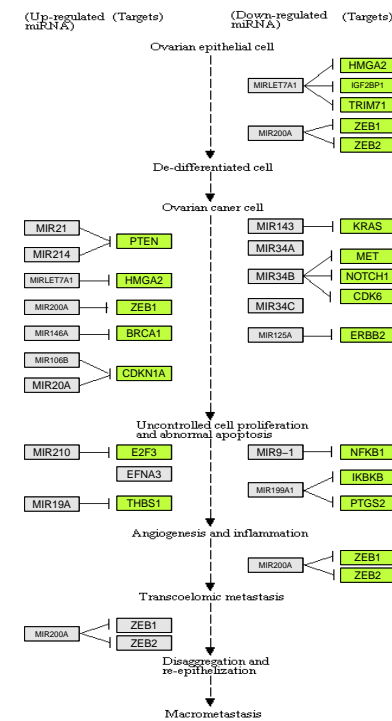
Colorectal cancer



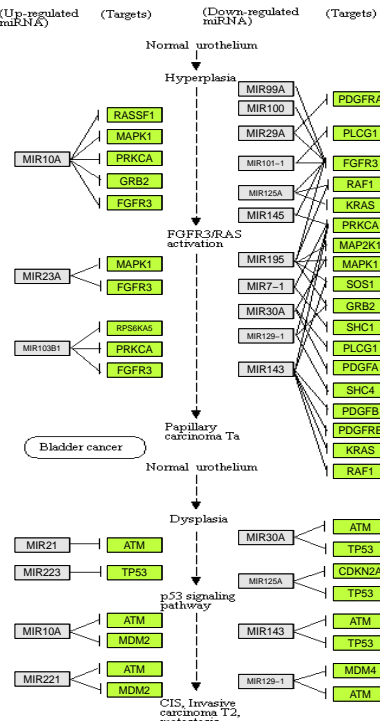
Breast cancer



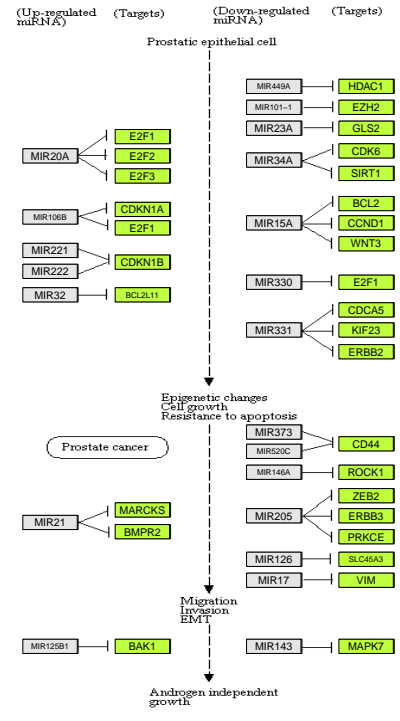
Epithelial ovarian cancer



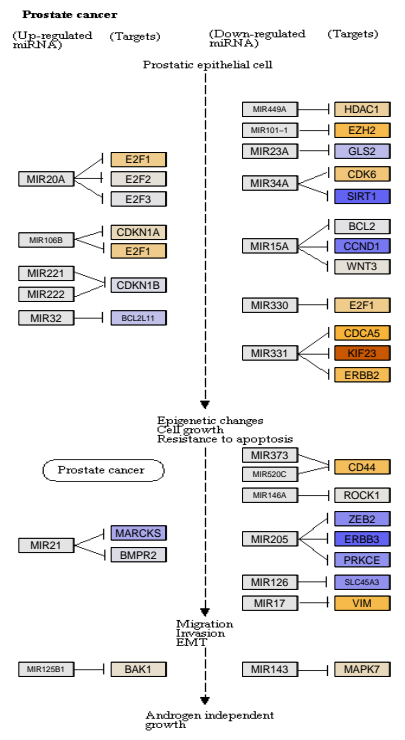
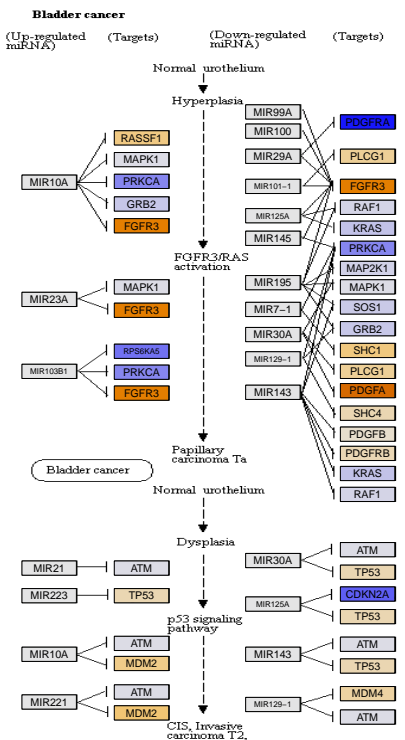
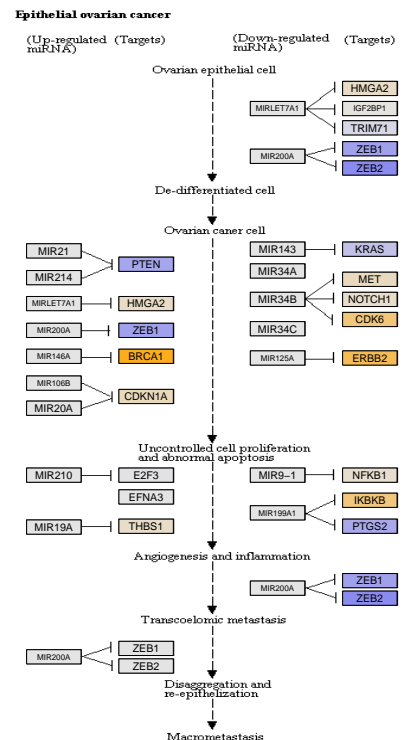
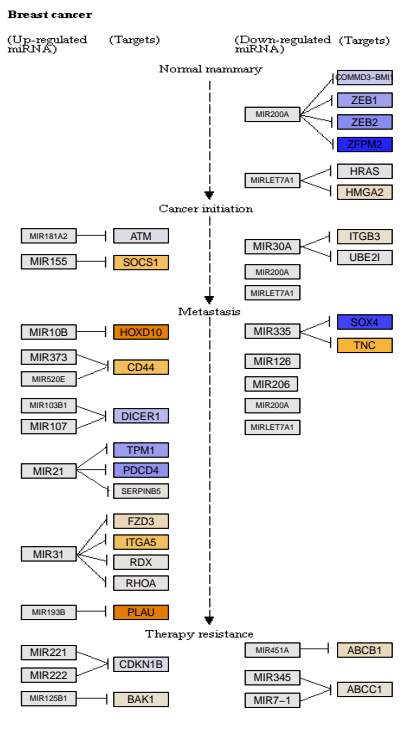
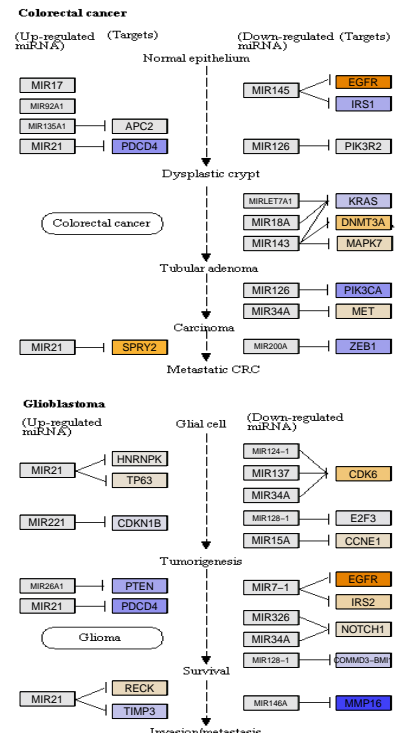
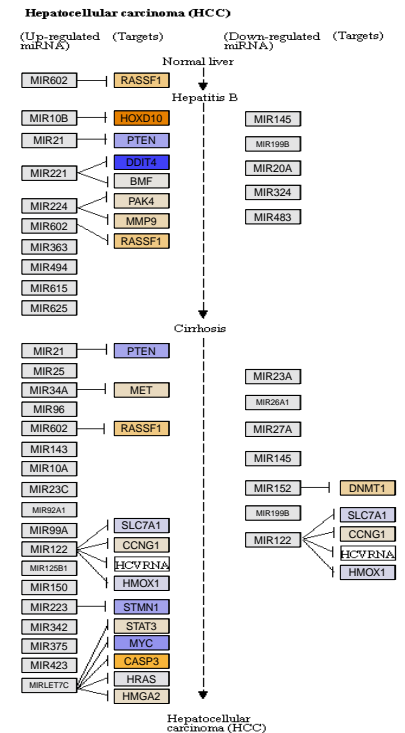
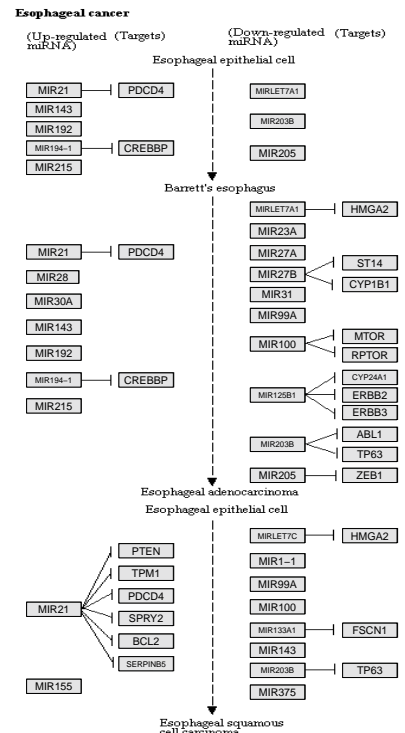
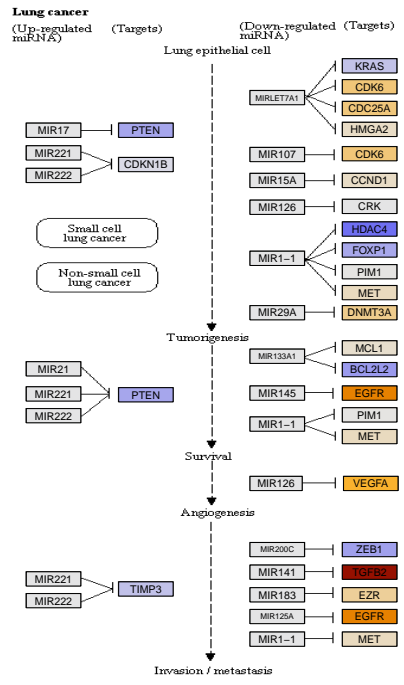
Bladder cancer



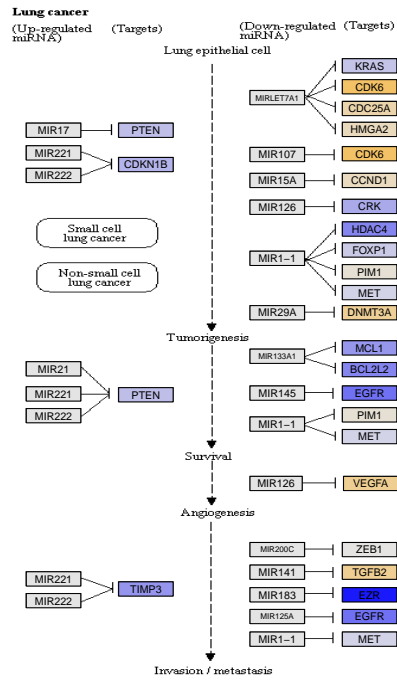
Prostate cancer



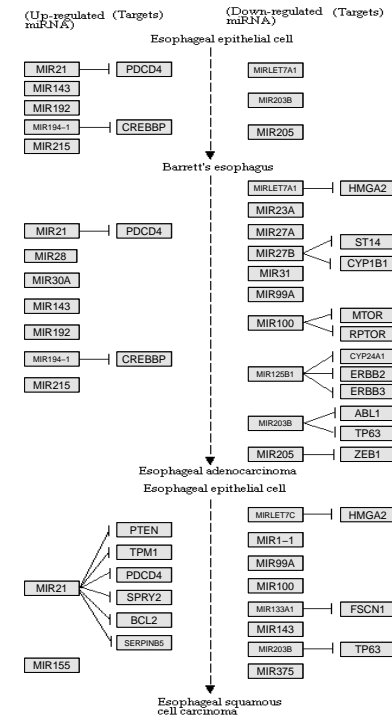
MicroRNAs in cancer group 1



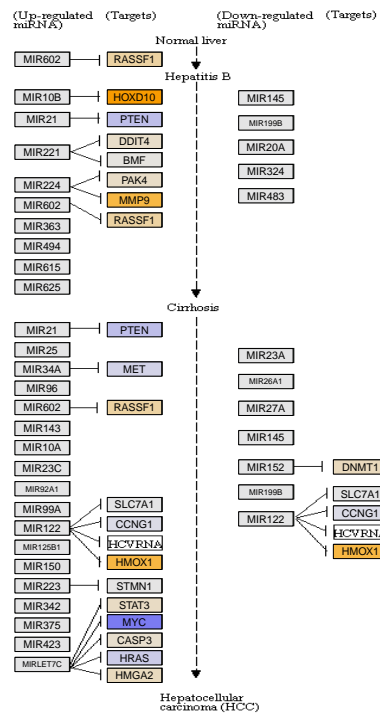
MicroRNAs in cancer group 2



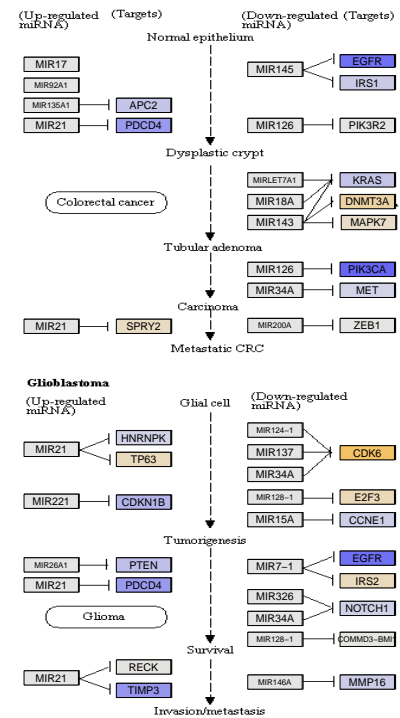
Esophageal cancer



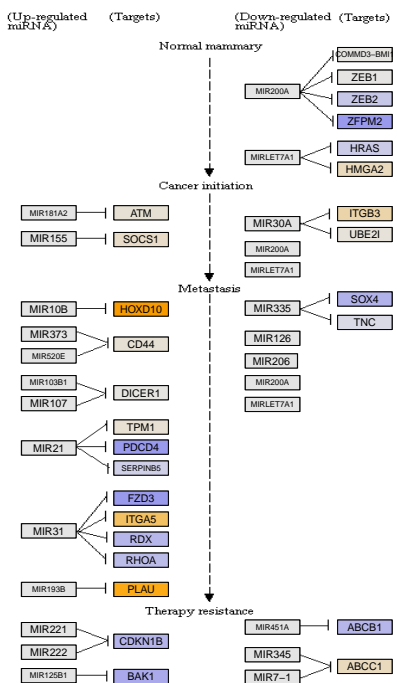
Hepatocellular carcinoma (HCC)



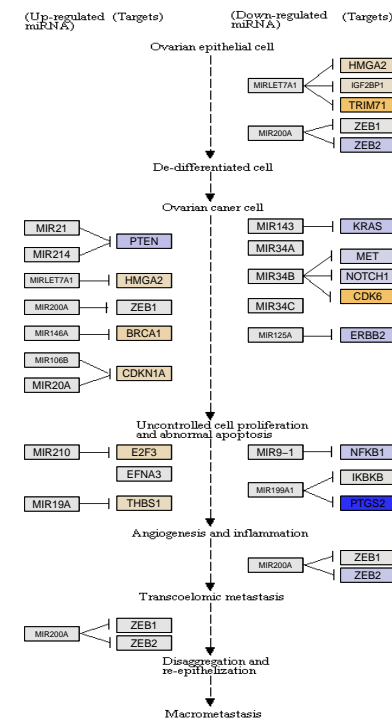
Colorectal cancer



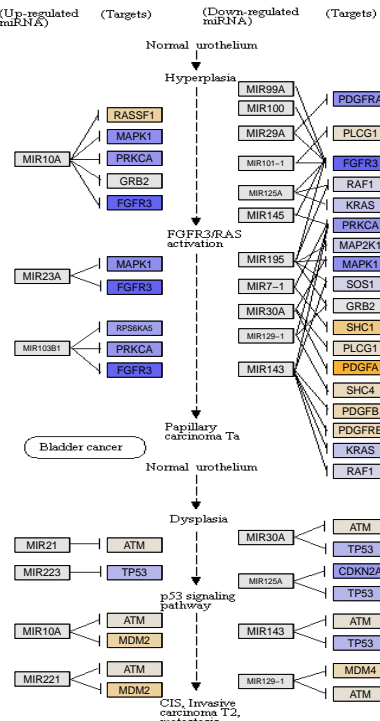
Breast cancer



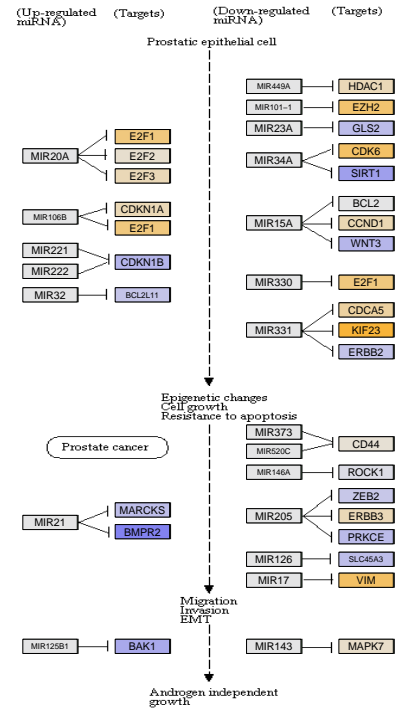
Epithelial ovarian cancer



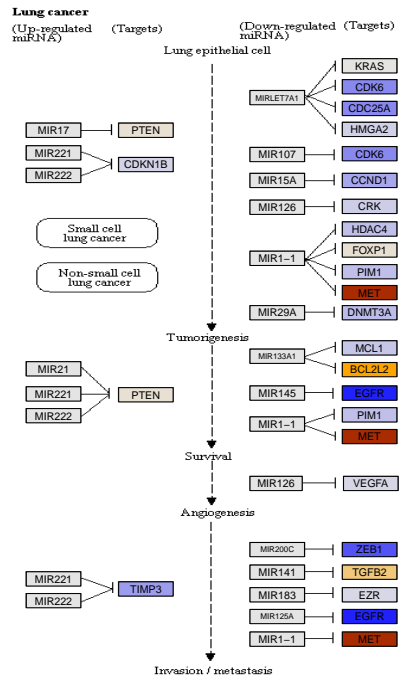
Bladder cancer



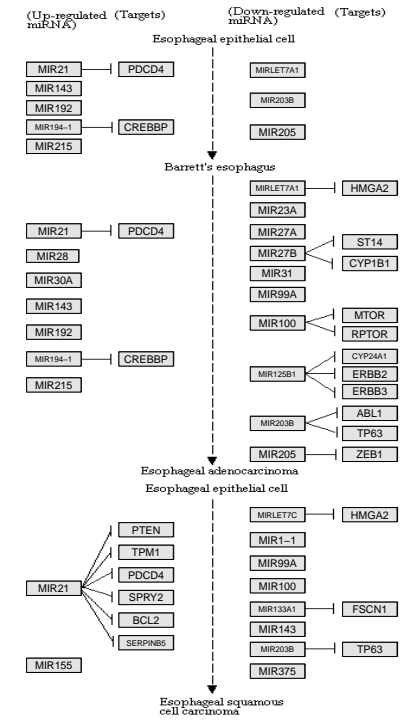
Prostate cancer



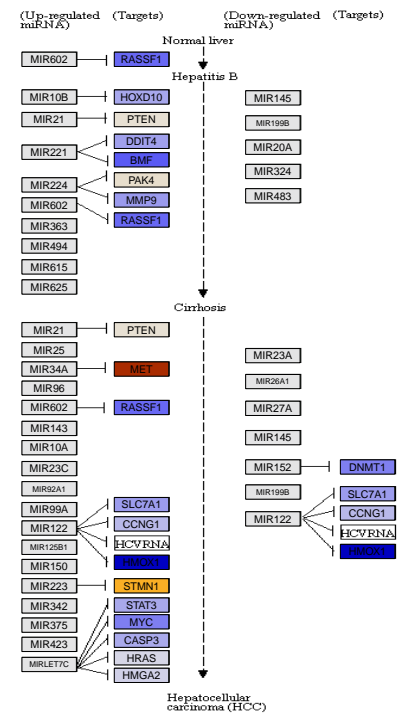
MicroRNAs in cancer group 3



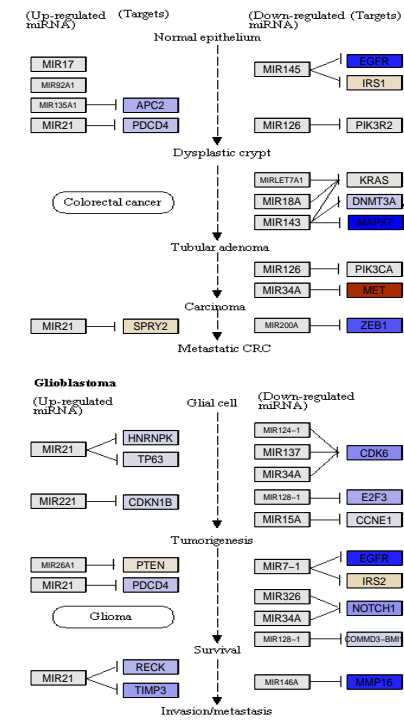
Esophageal cancer



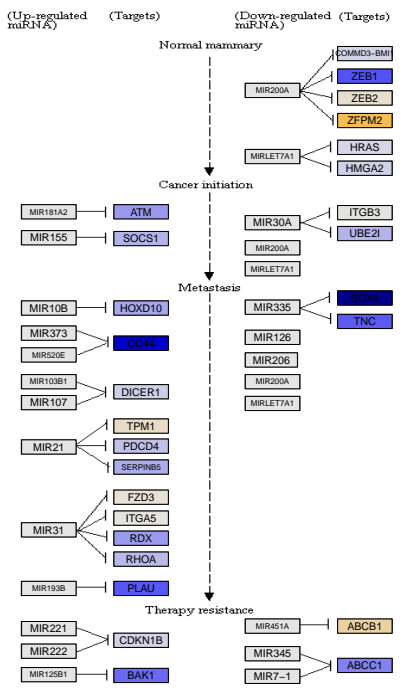
Hepatocellular carcinoma (HCC)



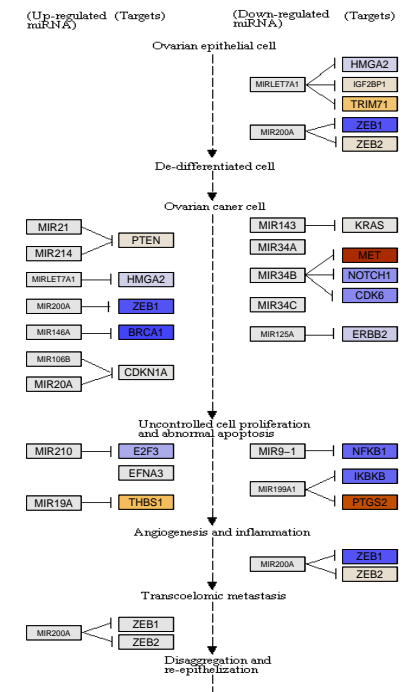
Colorectal cancer



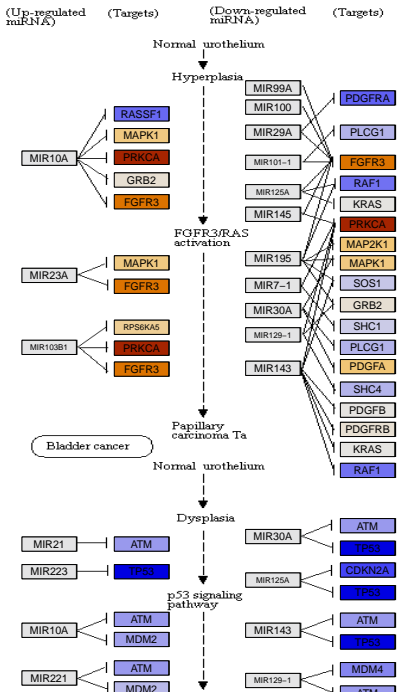
Breast cancer



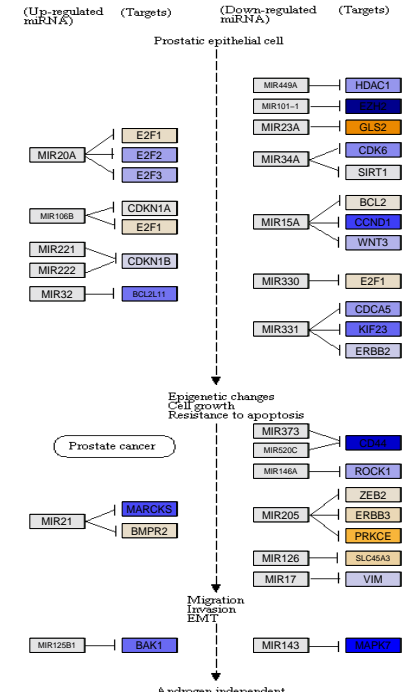
Epithelial ovarian cancer



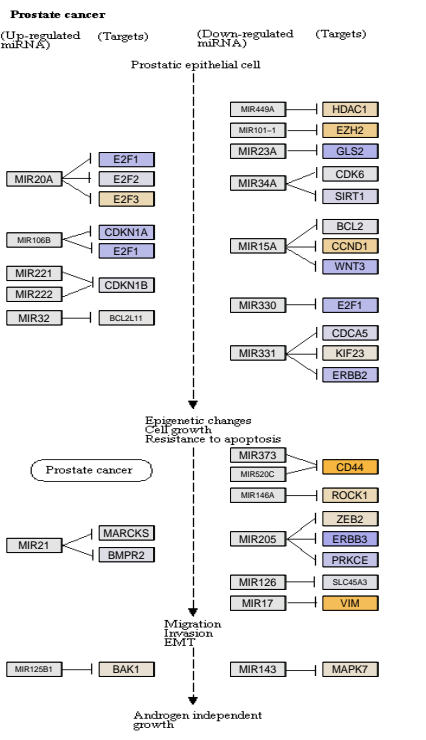
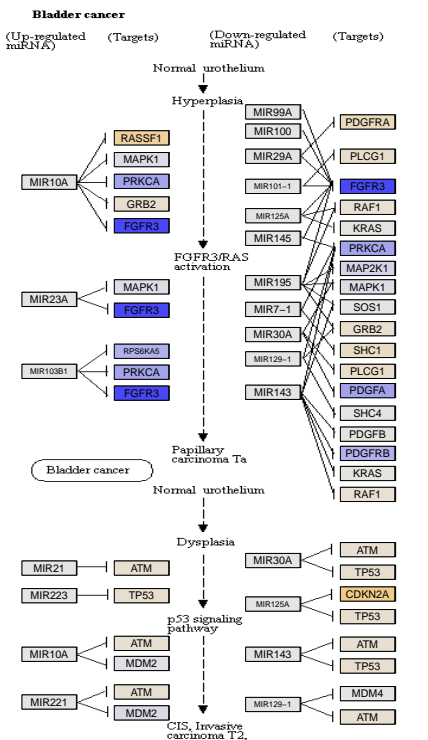
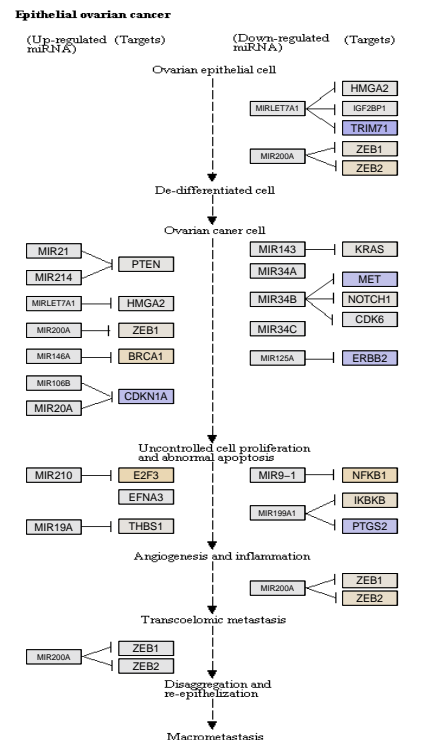
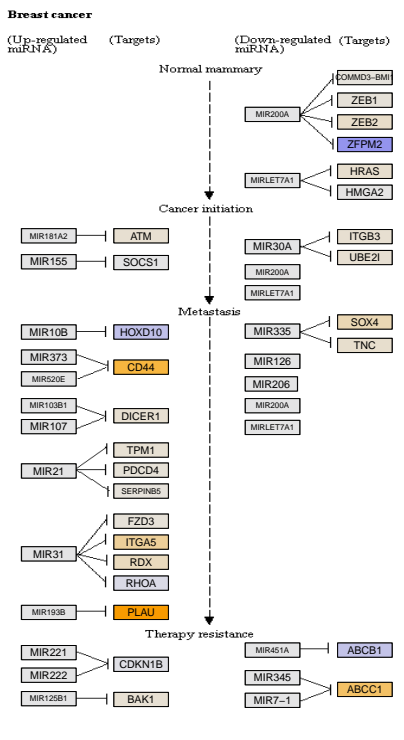
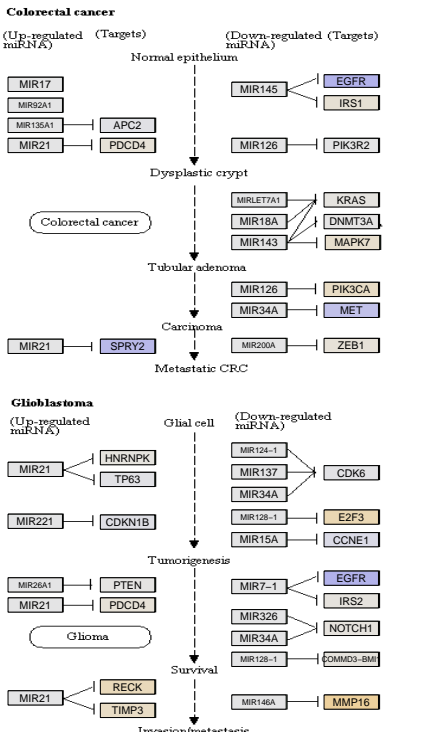
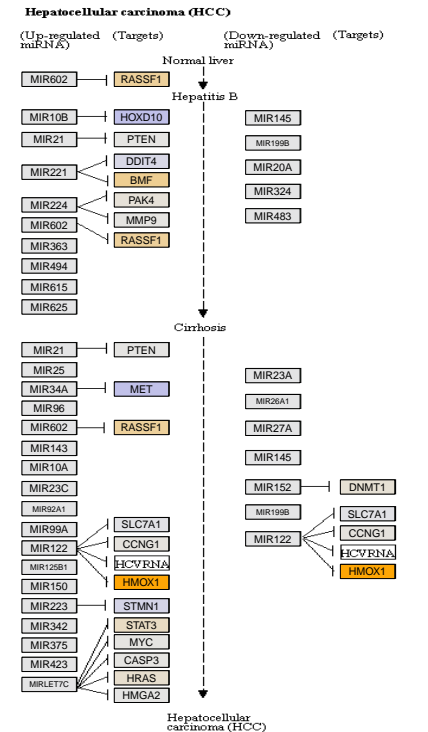
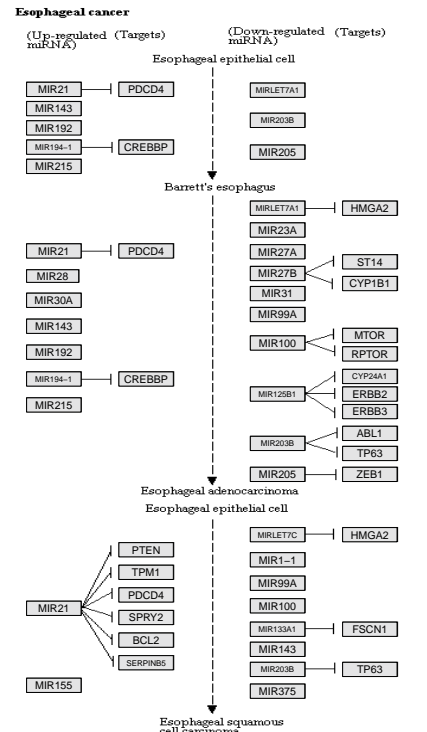
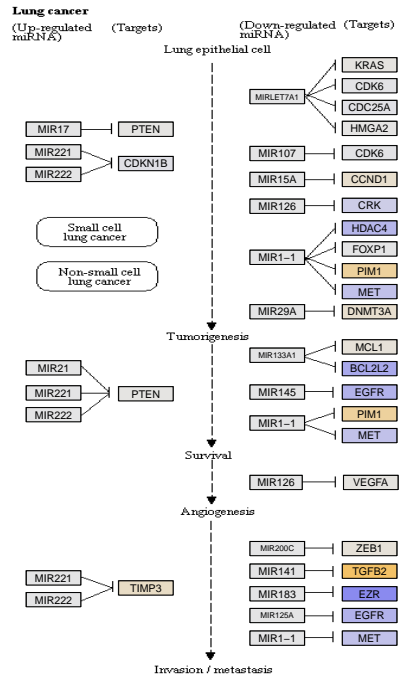
Bladder cancer



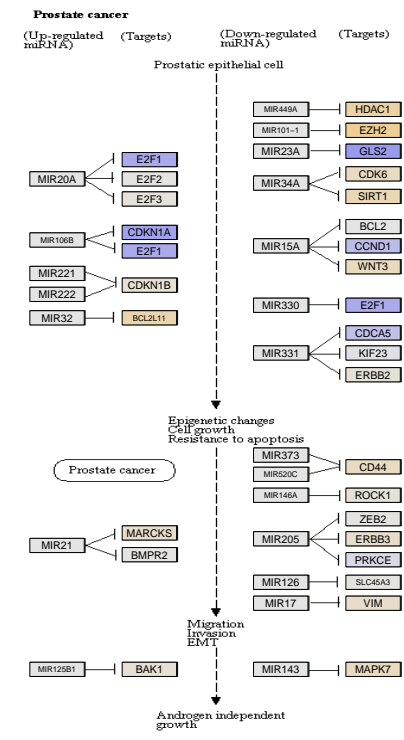
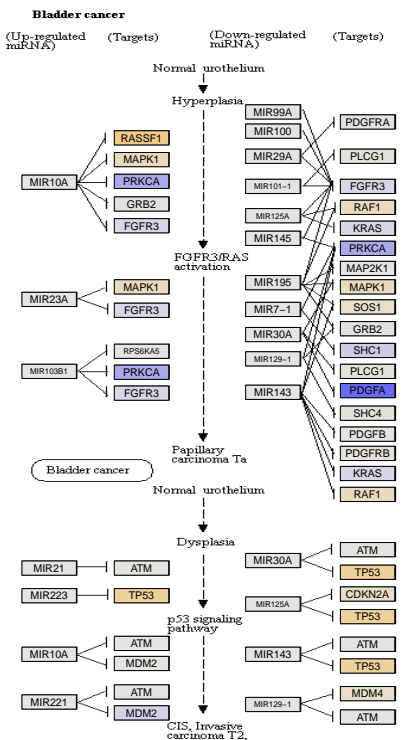
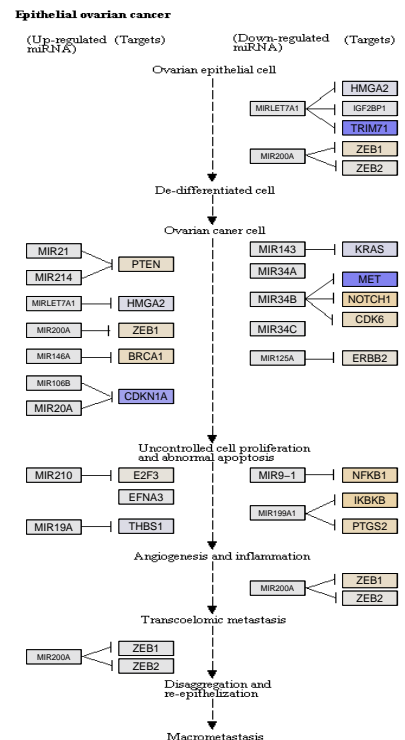
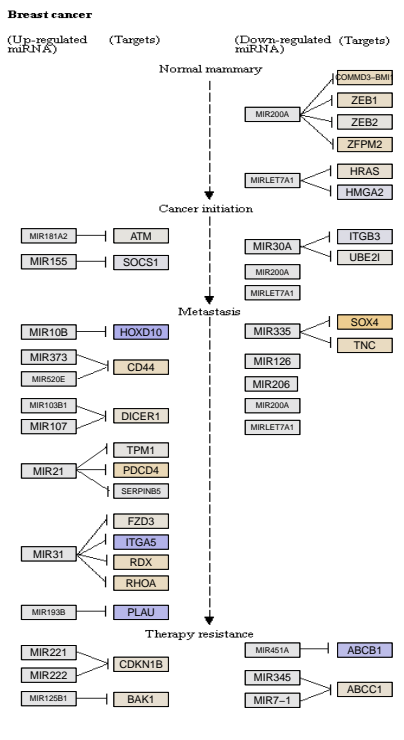
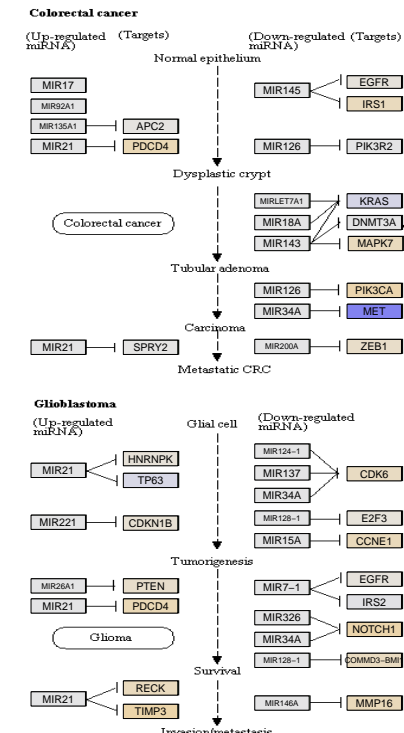
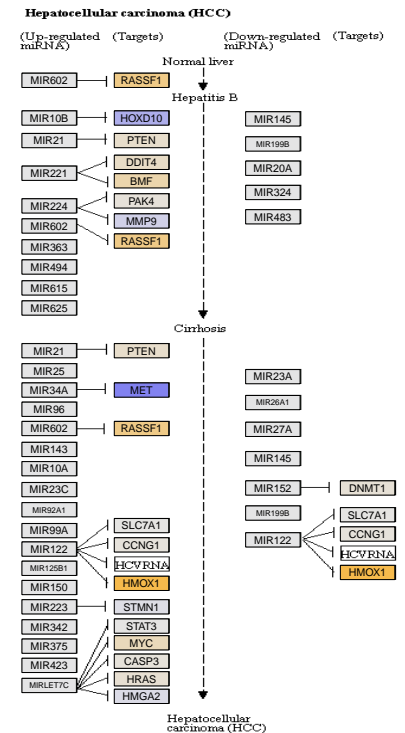
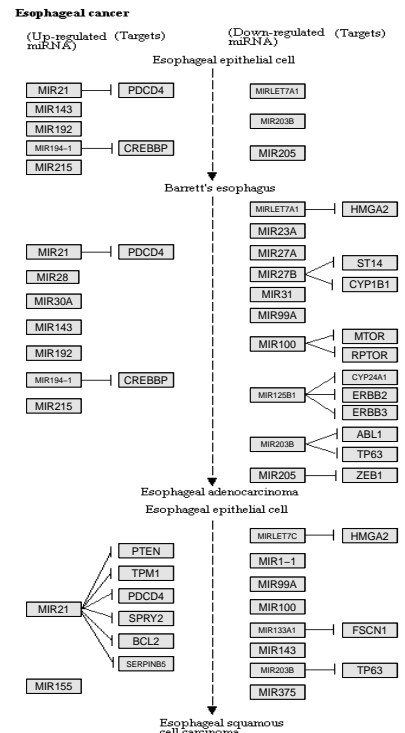
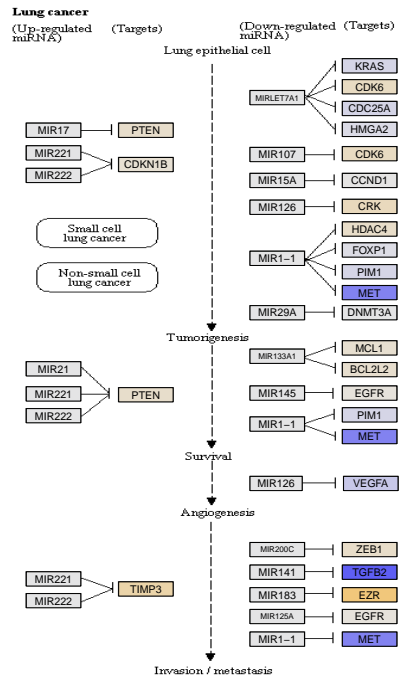
Prostate cancer



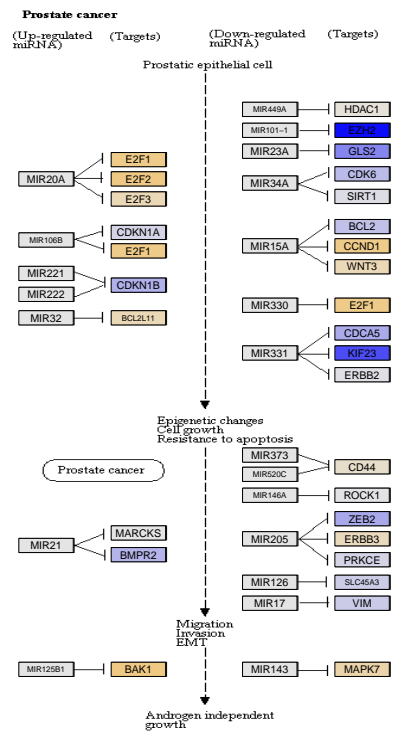
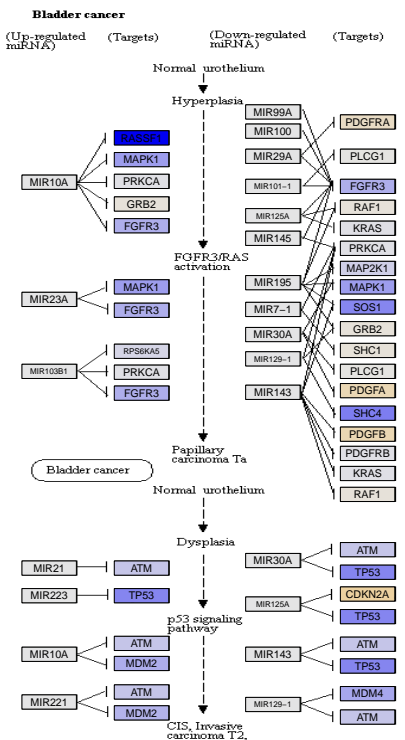
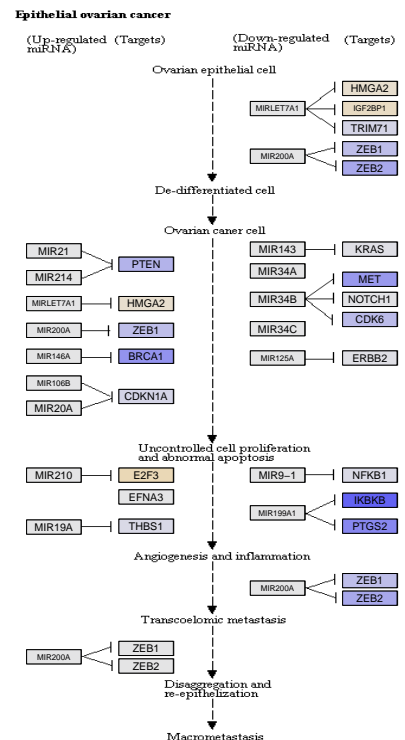
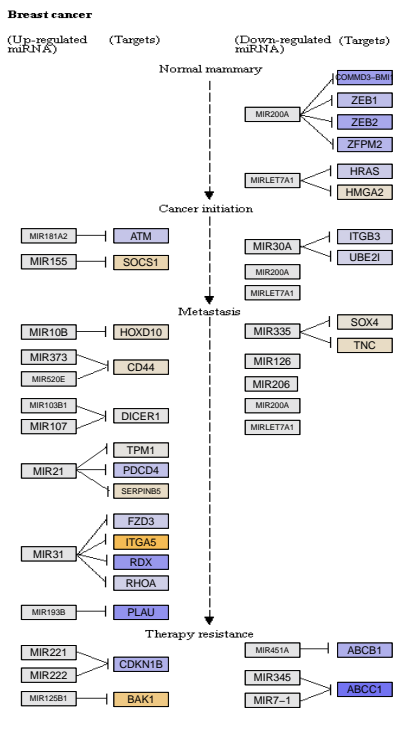
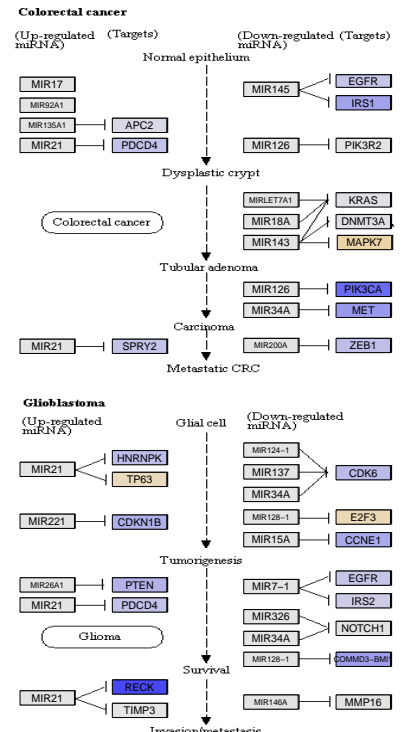
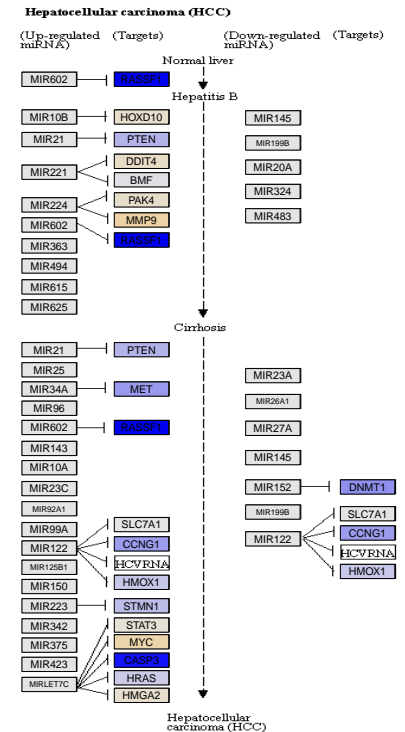
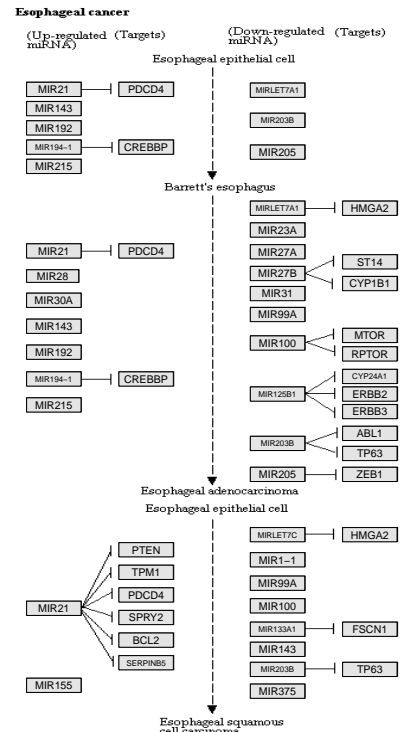
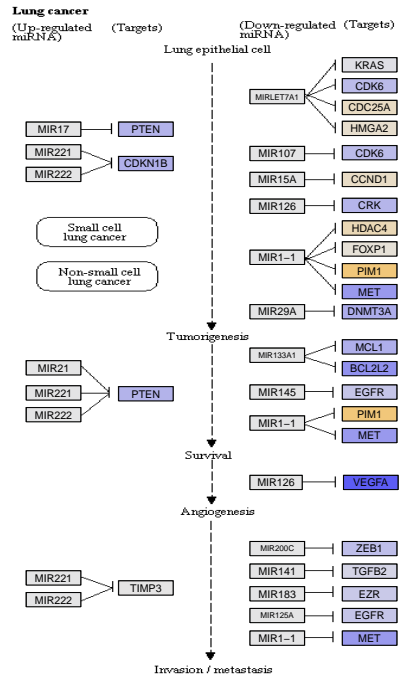
MicroRNAs in cancer group 4



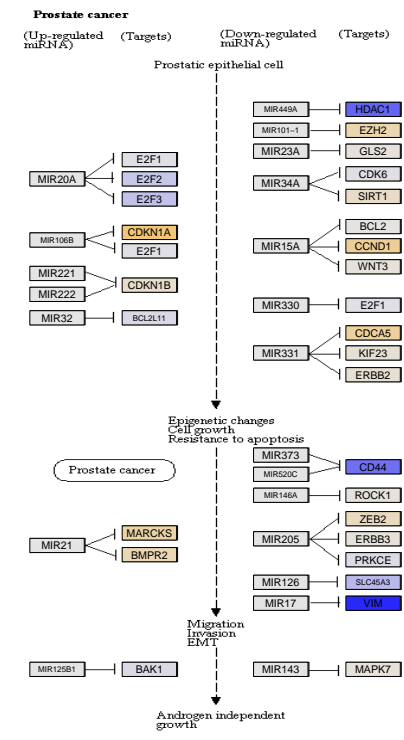
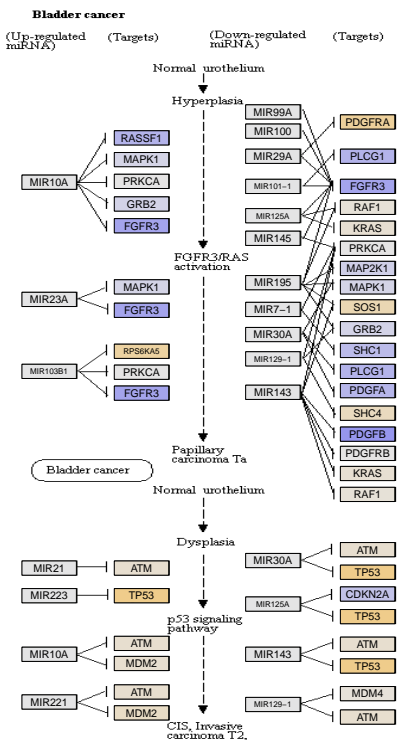
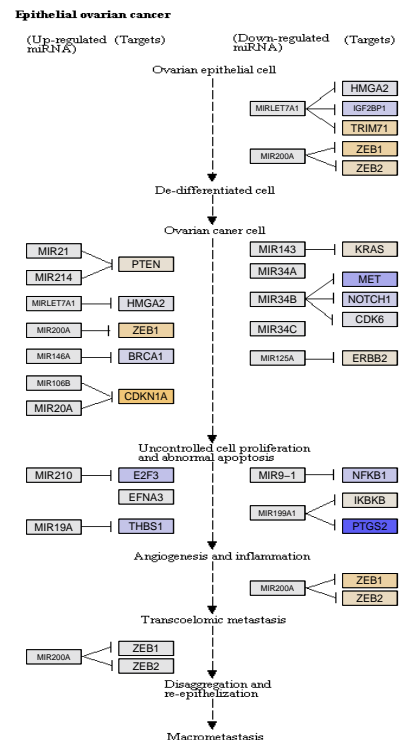
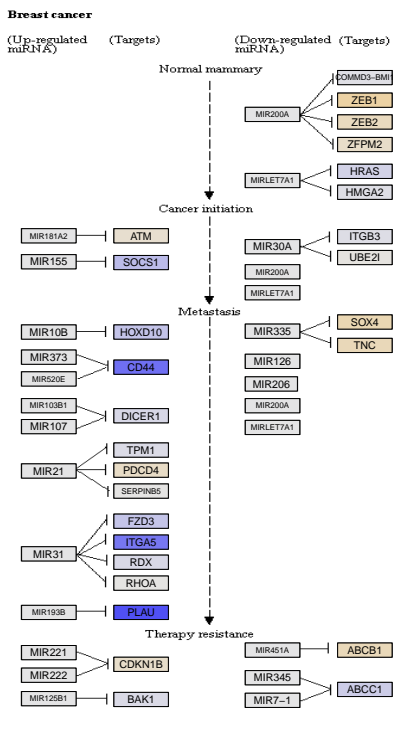
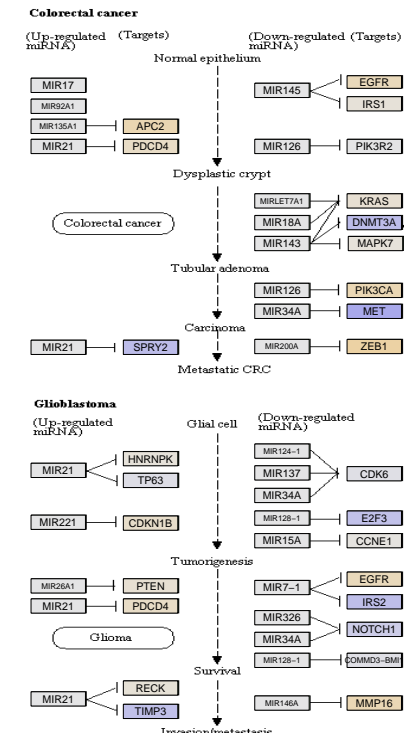
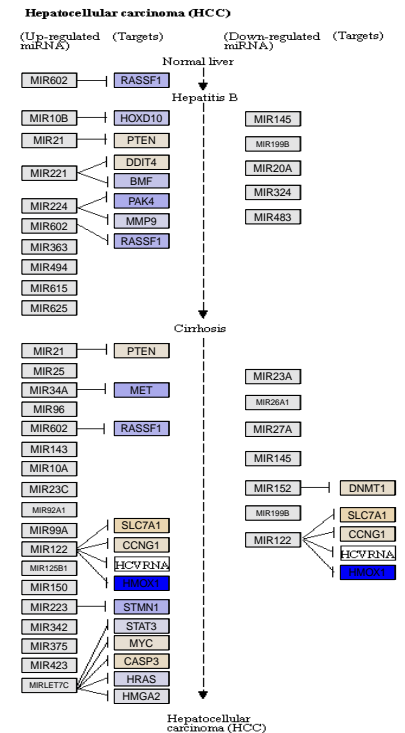
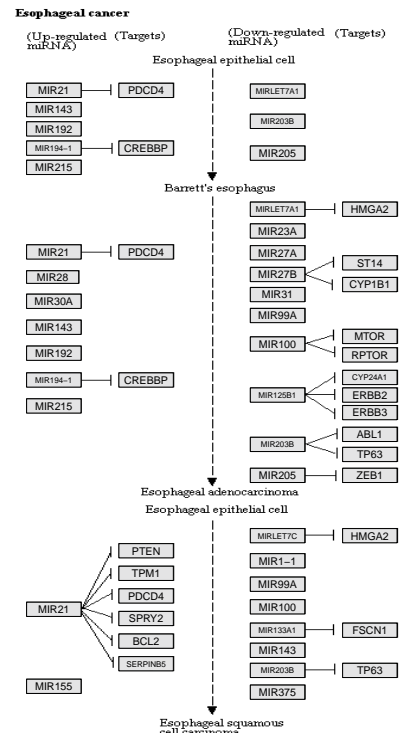
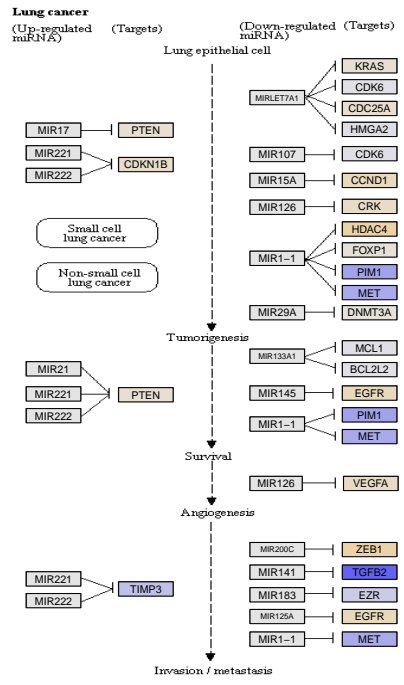
MicroRNAs in cancer group 5



MicroRNAs in cancer group 6



MicroRNAs in cancer group 7



MicroRNAs in cancer group 8

